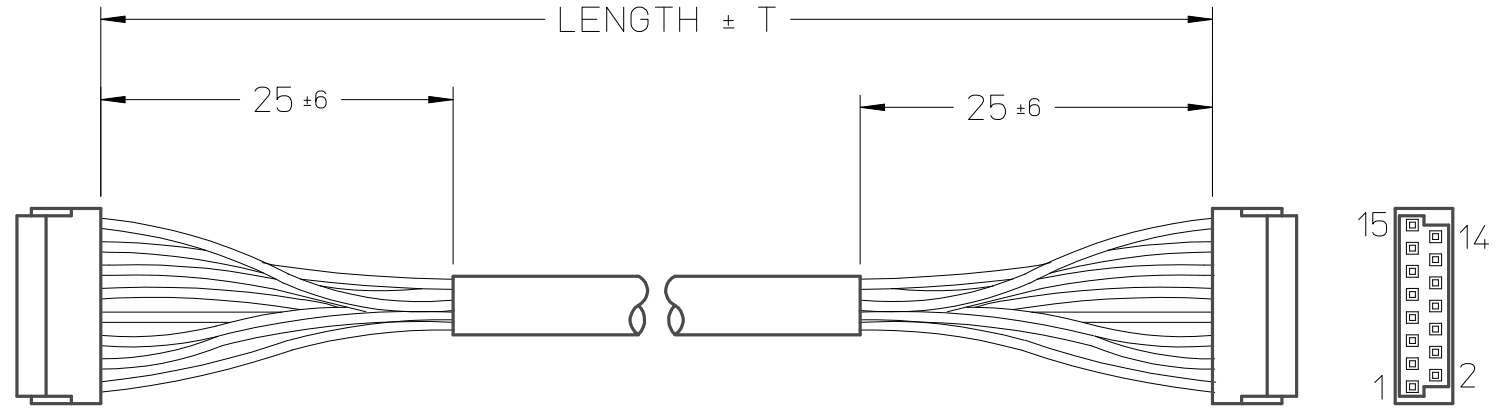
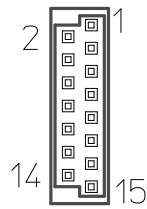


NOTES: UNLESS OTHERWISE SPECIFIED

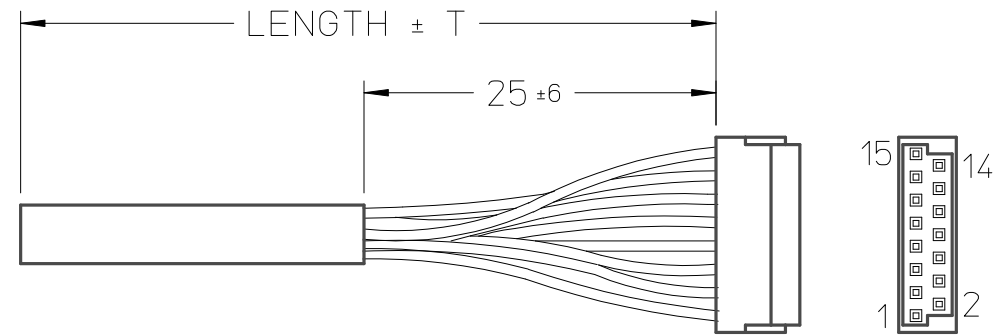
1. PART # 606544 SERIES, SEE TABLES 1 & 2.

TABLE 1	
PART #	LENGTH
606544-01	1000 (1M)
606544-03	2000 (2M)
606544-05	3000 (3M)

TABLE 2	
PART #	LENGTH
606544-02	500 (0.5M)
606544-04	1000 (1M)
606544-06	1500 (1.5M)





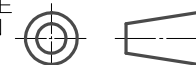
DUAL CONNECTOR CABLE
SEE TABLE 1



SINGLE CONNECTOR CABLE
SEE TABLE 2

TERMINATION		
PIN NO.	COLOR	FUNCTION
1	YEL	CH A
2	YEL/WHT	CH A-
3	BLU	CH B
4	BLU/WHT	CH B-
5	ORN	INDEX
6	ORN/WHT	INDEX-
7	GRN	CH U
8	GRN/WHT	CH U-
9	BRN	CH V
10	BRN/WHT	CH V-
11	WHT	CH W
12	GRY/WHT	CH W-
13	RED	+Vcc
14	BLK	GND
15	GRY	F-GND

LENGTH TOLERANCES	
LENGTH	T
461-910	± 25
911-1810	± 75
1811- UP	± 100

RELEASE # 41710	TEXT Add dual connector option		 RENCO ENCODERS INC. 26 COROMAR DR. GOLETA, CA. 93117						
This document is the property of Renco Encoders Inc. and is submitted in confidence. Disclosure, reproduction or publication without written authorization is prohibited.	DRAWN Cepeda	01/24/08				TITLE			
	APPV'D		Connecting cable, R35i, LD/LD						
MAT'L 	FINISH	TOLERANCES UNLESS OTHERWISE SPECIFIED ALL DIMENSIONS ARE IN MILLIMETERS		SIZE B	FSCM NO. 34479	DWG NO. 606545-01-A-01	VER	REV	SHT
THIRD ANGLE PROJECTION 		SCALE NONE	THIS DWG PREPARED IN ACCORDANCE WITH: ASME Y14.5M -1994		PAGE 1 OF 1				

D521878-01-A-02