

**NOTES: UNLESS OTHERWISE SPECIFIED**

1. PART # 675831 SERIES, SEE TABULATION.

② REFERENCE RENCO DWG 545401 FOR BULK CABLE SPEC.

③ FOR REFERENCE ONLY.

④ CUT DRAIN WIRE AT JACKET ON BOTH ENDS.

⑤ COVER METAL SLEEVE WITH ITEM 3 (SHRINK TUBING).

6. CABLE IN FIGURE 2 CREATES 2 FINISHED ASSEMBLIES (SHOWN IN FIGURE 3).

7. 100% CONTINUITY TESTING REQUIRED.

8. PARTS TO BE RoHS COMPLIANT WITHOUT EXEMPTION.

TABULATION			
PART #	L	CL	FL
675831-02	2062	2000 (2M)	—
675831-01	—	—	1000 (1M)
675831-03	1062	1000 (1M)	—
675831-04	—	—	500 (0.5M)

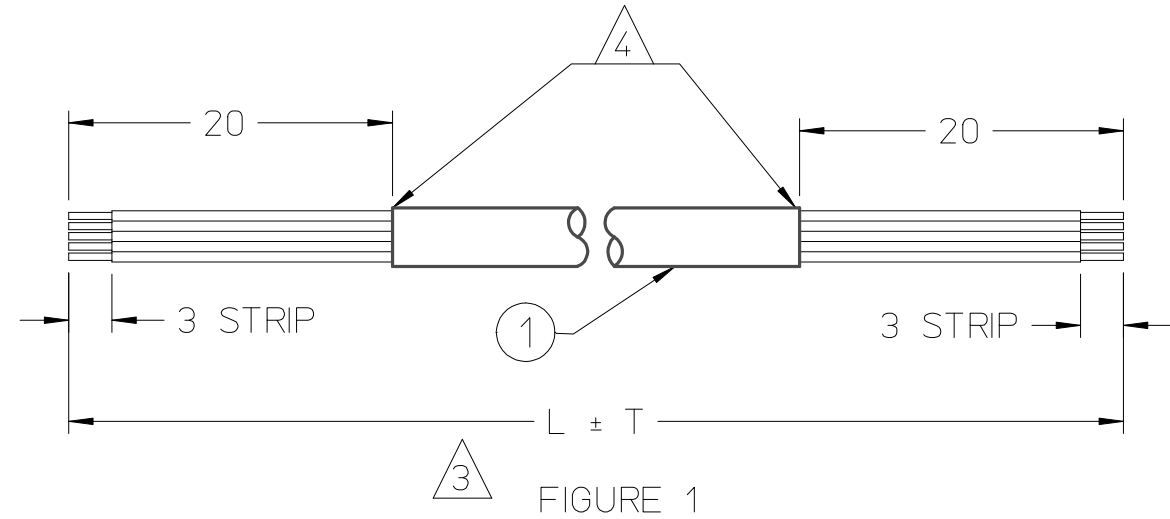
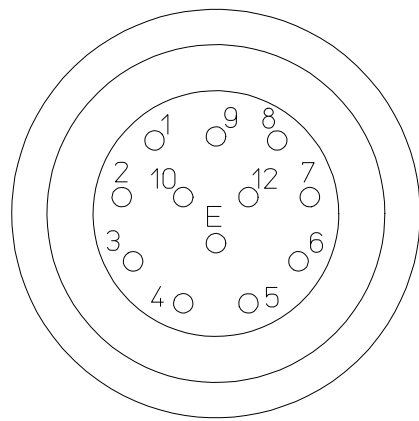
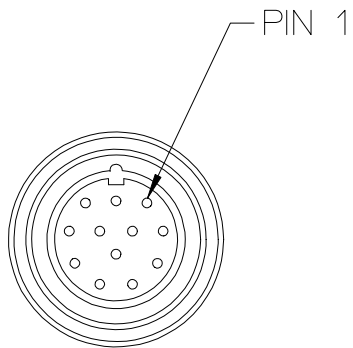


FIGURE 1

TERMINATION		
PIN NO.	COLOR	FUNCTION
1	WHT/BLU	CH B-
2	---	N/C
3	ORN	CH Z
4	WHT/ORN	CH Z-
5	YEL	CH A
6	WHT/YEL	CH A-
7	---	N/C
8	BLU	CH B
9	---	N/C
10	BLK	GND
11	---	N/C
12	RED	+5V

LENGTH TOLERANCES	
LENGTH	T
475-900	± 25
925-1800	± 75
1825- UP	± 100



VIEW A-A  
SCALE 2:1

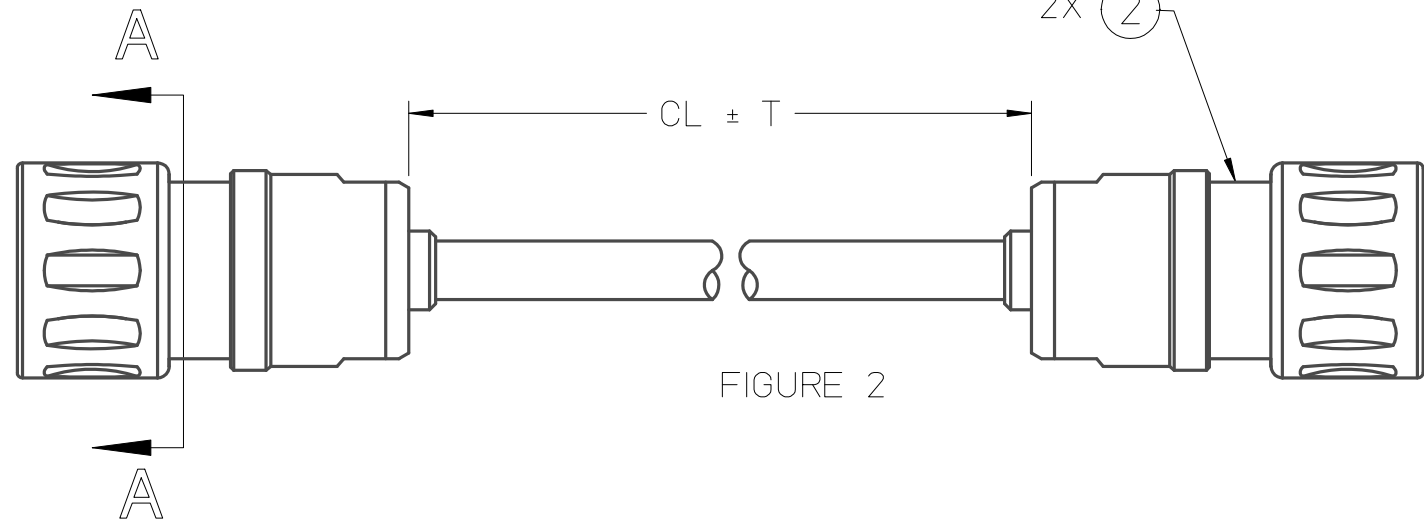


FIGURE 2

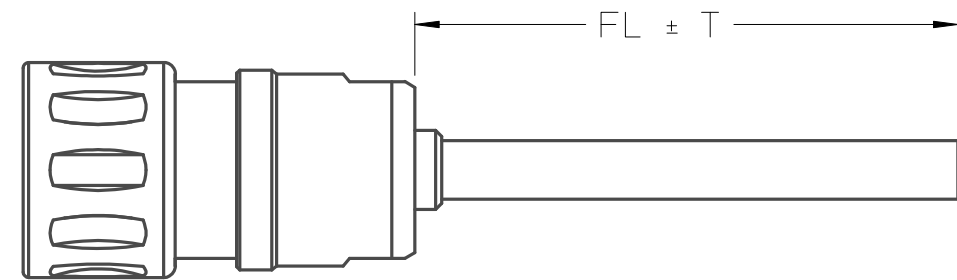
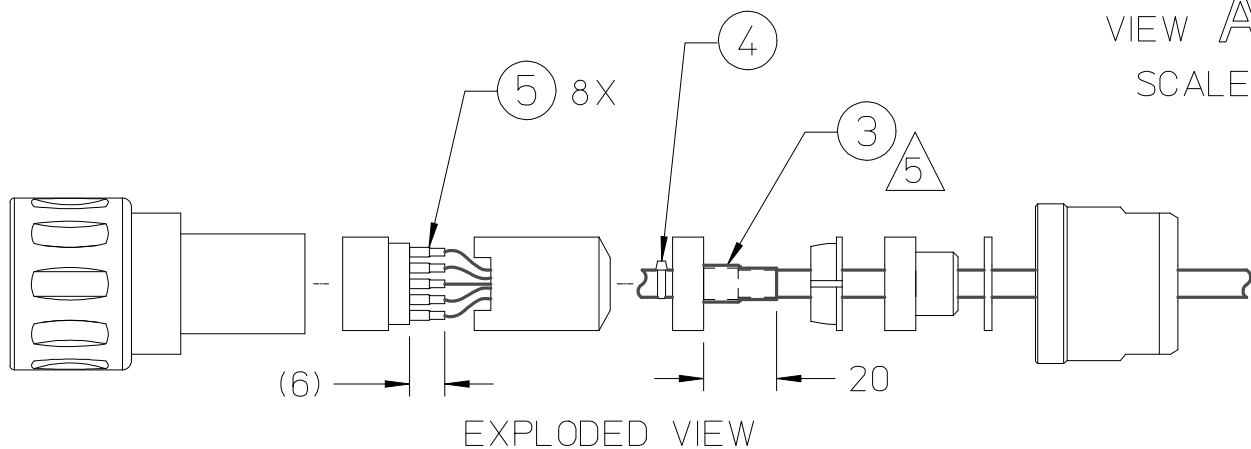


FIGURE 3

STANDARD FABRICATION TOLERANCES	
JACKET STRIP TOLERANCES:	± 3
CONDUCTOR STRIP TOLERANCES:	± 0.5



EXPLODED VIEW

RELEASE # 03406	TEXT Tabulate print	<b>RENCO ENCODERS INC.</b> 26 COROMAR DR. GOLETA, CA. 93117	
This document is the property of Renco Encoders Inc. and is submitted in confidence. Disclosure, reproduction or publication without written authorization is prohibited.	DRAWN Cepeda 03/26/09 APPV'D REL'D		
MAT'L ②	FINISH	TOLERANCES UNLESS OTHERWISE SPECIFIED ALL DIMENSIONS ARE IN MILLIMETERS	
THIRD ANGLE PROJECTION		TITLE Connecting cable, RHDi, LD/LD SIZE <b>B</b> FSCM NO. <b>34479</b> DWG NO. 675831-01-A-01 SCALE NONE THIS DWG PREPARED IN ACCORDANCE WITH: ASME Y14.5M -1994	VER   REV   SHT PAGE 1 OF 1