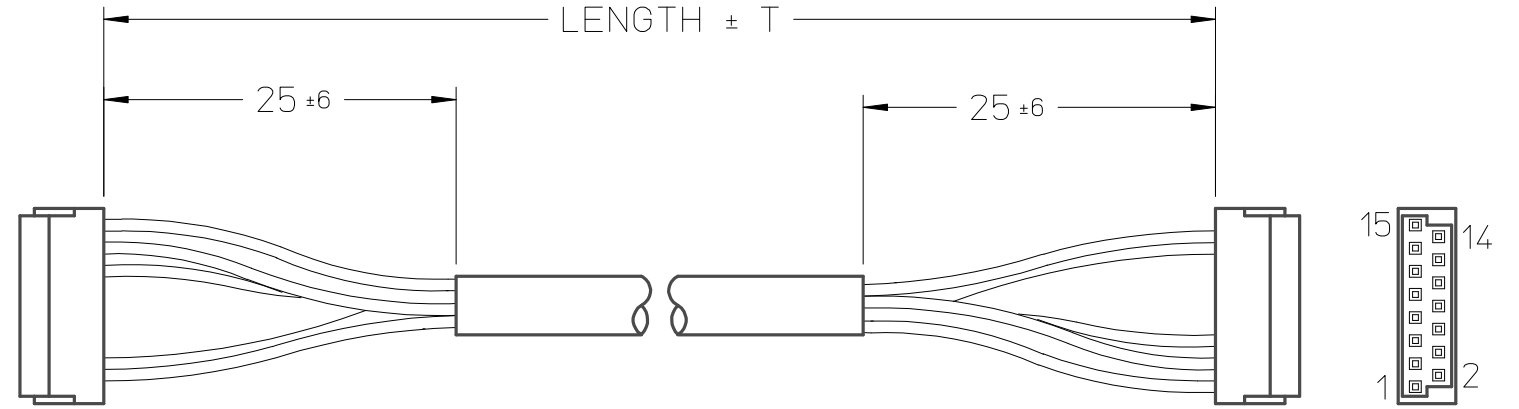
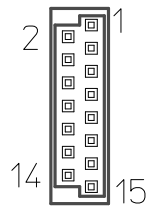


NOTES: UNLESS OTHERWISE SPECIFIED

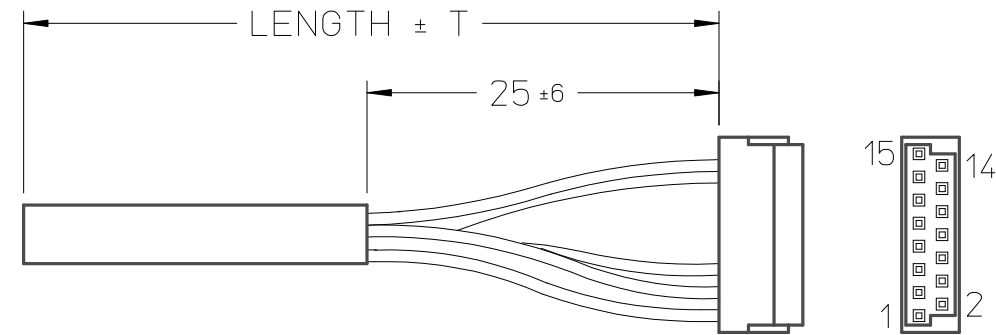
1. PART # 688602 SERIES, SEE TABLES 1 & 2.

TABLE 1	
PART #	LENGTH
688602-01	1000 (1M)
688602-03	2000 (2M)

TABLE 2	
PART #	LENGTH
688602-02	500 (0.5M)
688602-04	1000 (1M)



DUAL CONNECTOR CABLE  
SEE TABLE 1



SINGLE CONNECTOR CABLE  
SEE TABLE 2

TERMINATION		
PIN NO.	COLOR	FUNCTION
1	YEL	CH A
2	---	N/C
3	BLU	CH B
4	---	N/C
5	ORN	INDEX
6	---	N/C
7	---	N/C
8	---	N/C
9	---	N/C
10	---	N/C
11	---	N/C
12	---	N/C
13	RED	+Vcc
14	BLK	GND
15	WHT	FGND

LENGTH TOLERANCES	
LENGTH	T
461-910	± 25
911-1810	± 75
1811- UP	± 100

RELEASE # 04714	TEXT Initial release	<b>RENCO ENCODERS INC.</b> 26 COROMAR DR. GOLETA, CA. 93117			
This document is the property of Renco Encoders Inc. and is submitted in confidence. Disclosure, reproduction or publication without written authorization is prohibited.	DRAWN Cepeda 07/02/09			SIZE <b>B</b>	FSCM NO. <b>34479</b>
	APPV'D			TITLE Connecting cable, R35iHC, data only, web print	
MAT'L	FINISH	DWG NO. 688603-00-A-01 VER   REV   SHT			
THIRD ANGLE PROJECTION	TOLERANCES UNLESS OTHERWISE SPECIFIED ALL DIMENSIONS ARE IN MILLIMETERS	SCALE NONE	THIS DWG PREPARED IN ACCORDANCE WITH: ASME Y14.5M -1994		
		PAGE 1 OF 1			