



# R35i Modular Encoder Cable Options

Click on your selection from list below to view cable print.

[R35i LD/0 Output](#)

[R35i LD/LD Output](#)

NOTES: UNLESS OTHERWISE SPECIFIED

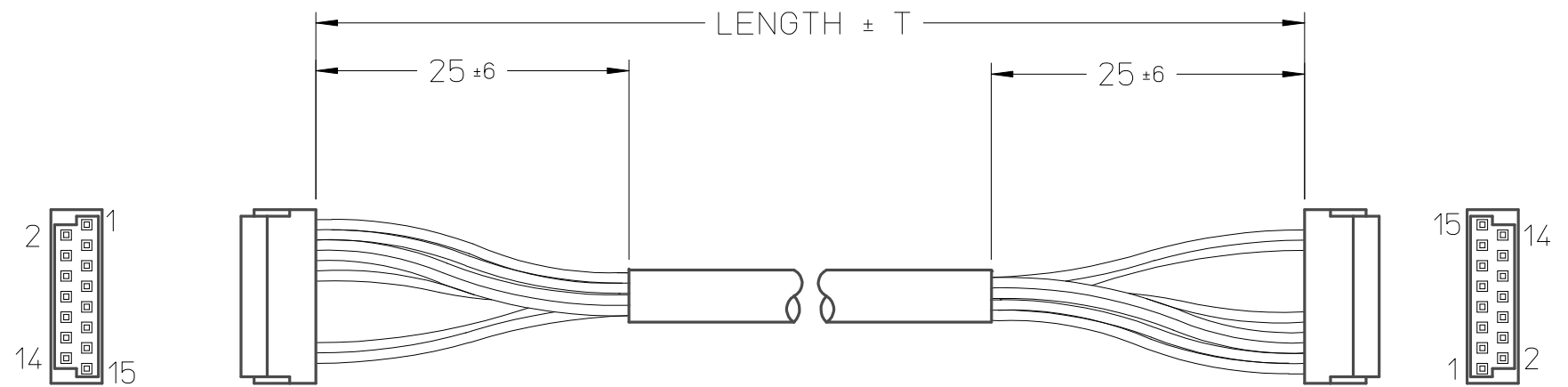
1. PART # 679489 SERIES, SEE TABLES 1 & 2.

TABLE 1	
PART #	LENGTH
679489-01	1000 (1M)
679489-03	2000 (2M)

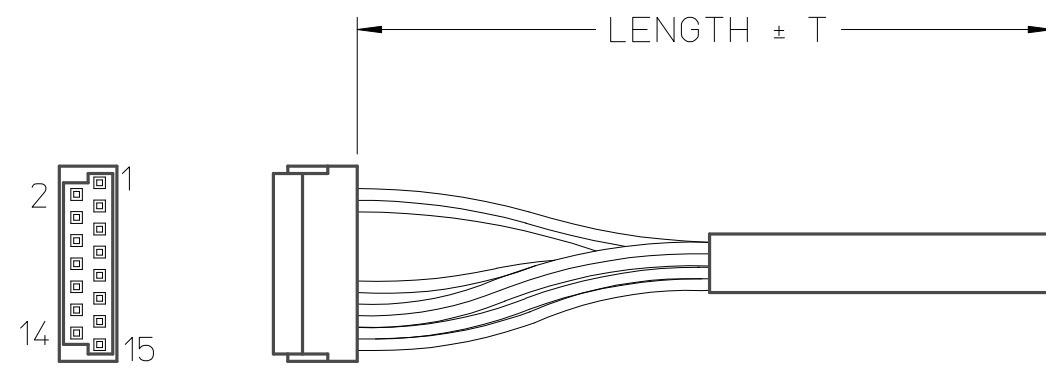
TABLE 2	
PART #	LENGTH
679489-02	500 (0.5M)
679489-04	1000 (1M)

TERMINATION		
PIN NO.	COLOR	FUNCTION
1	YEL	CH A
2	YEL/WHT	CH A-
3	BLU	CH B
4	BLU/WHT	CH B-
5	ORN	INDEX
6	ORN/WHT	INDEX-
7	---	N/C
8	---	N/C
9	---	N/C
10	---	N/C
11	---	N/C
12	---	N/C
13	RED	+Vcc
14	BLK	GND
15	---	N/C

LENGTH TOLERANCES	
LENGTH	T
461-910	± 25
911-1810	± 75
1811- UP	± 100



DUAL CONNECTOR CABLE  
SEE TABLE 1



SINGLE CONNECTOR CABLE  
SEE TABLE 2

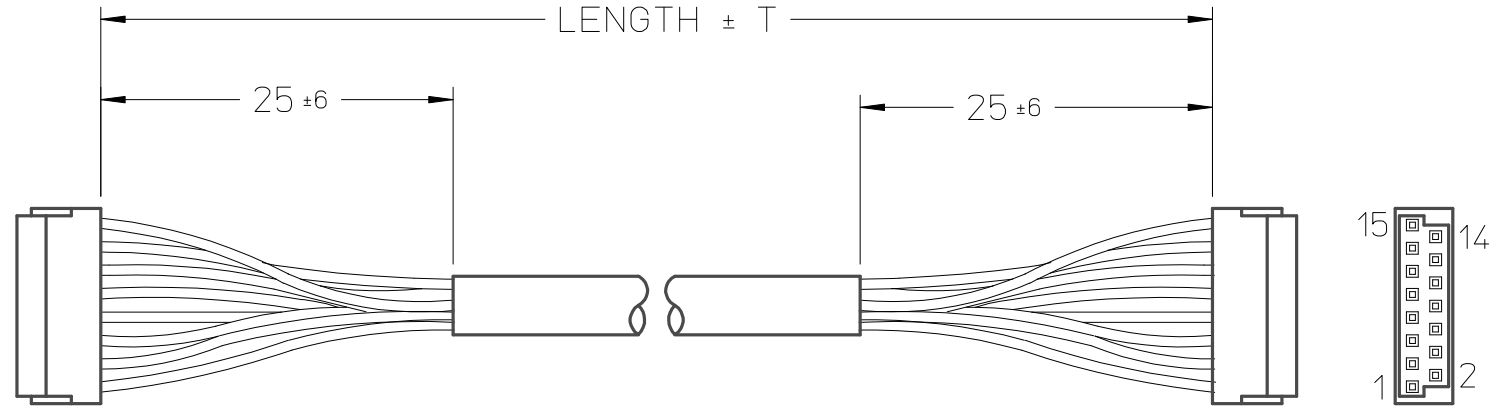
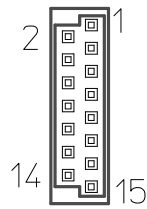
RELEASE # 05409	TEXT Initial release	<b>RENCO ENCODERS INC.</b> 26 COROMAR DR. GOLETA, CA. 93117	
This document is the property of Renco Encoders Inc. and is submitted in confidence. Disclosure, reproduction or publication without written authorization is prohibited.	DRAWN Cepeda 07/30/09 APPV'D REL'D		
MAT'L	FINISH	TOLERANCES UNLESS OTHERWISE SPECIFIED ALL DIMENSIONS ARE IN MILLIMETERS	
THIRD ANGLE PROJECTION		TITLE Connecting cable, R35i, LD/0, web print	SIZE <b>B</b> FSCM NO. <b>34479</b> DWG NO. 690396-00-A-01
		SCALE NONE	THIS DWG PREPARED IN ACCORDANCE WITH: ASME Y14.5M -1994
		PAGE 1 OF 1	

NOTES: UNLESS OTHERWISE SPECIFIED

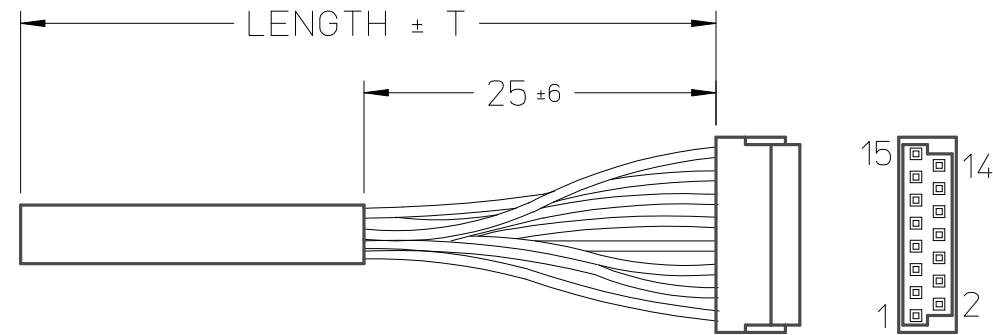
1. PART # 606544 SERIES, SEE TABLES 1 & 2.

TABLE 1	
PART #	LENGTH
606544-01	1000 (1M)
606544-03	2000 (2M)
606544-05	3000 (3M)

TABLE 2	
PART #	LENGTH
606544-02	500 (0.5M)
606544-04	1000 (1M)
606544-06	1500 (1.5M)



DUAL CONNECTOR CABLE  
SEE TABLE 1



SINGLE CONNECTOR CABLE  
SEE TABLE 2

TERMINATION		
PIN NO.	COLOR	FUNCTION
1	YEL	CH A
2	YEL/WHT	CH A-
3	BLU	CH B
4	BLU/WHT	CH B-
5	ORN	INDEX
6	ORN/WHT	INDEX-
7	GRN	CH U
8	GRN/WHT	CH U-
9	BRN	CH V
10	BRN/WHT	CH V-
11	WHT	CH W
12	GRY/WHT	CH W-
13	RED	+Vcc
14	BLK	GND
15	GRY	F-GND

LENGTH TOLERANCES	
LENGTH	T
461-910	± 25
911-1810	± 75
1811- UP	± 100

RELEASE # 41710	TEXT Add dual connector option		
This document is the property of Renco Encoders Inc. and is submitted in confidence. Disclosure, reproduction or publication without written authorization is prohibited.	DRAWN	Cepeda	01/24/08
	APPV'D		
	REL'D		
MAT'L	FINISH	<b>RENCO ENCODERS INC.</b> 26 COROMAR DR. GOLETA, CA. 93117	
THIRD ANGLE PROJECTION		TOLERANCES UNLESS OTHERWISE SPECIFIED ALL DIMENSIONS ARE IN MILLIMETERS TITLE Connecting cable, R35i, LD/LD	
		SIZE <b>B</b>	FSCM NO. <b>34479</b>
		DWG NO. 606545-01-A-01	
		SCALE NONE	THIS DWG PREPARED IN ACCORDANCE WITH: ASME Y14.5M -1994
		PAGE 1 OF 1	