

NOTES: UNLESS OTHERWISE SPECIFIED

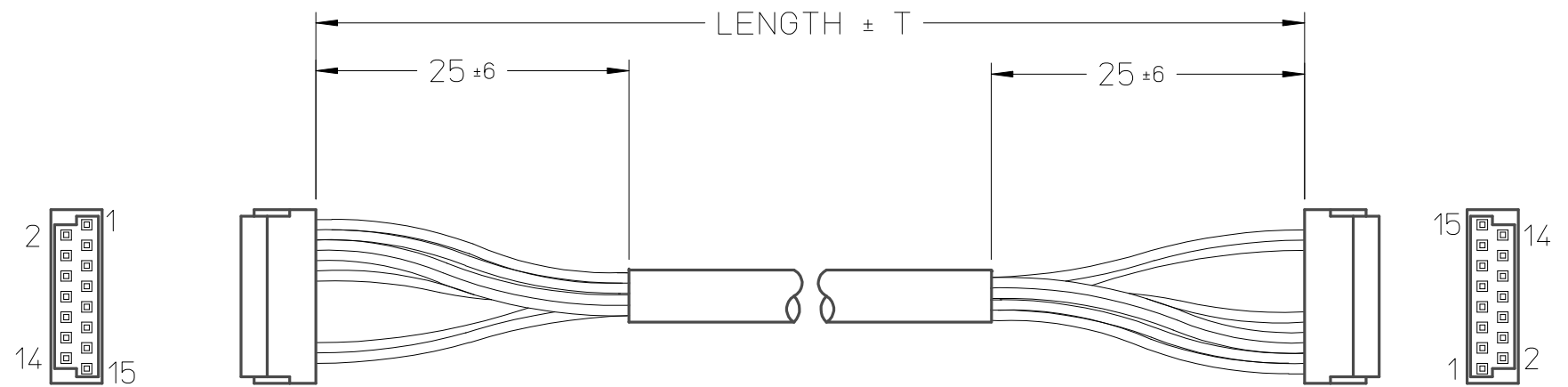
1. PART # 679489 SERIES, SEE TABLES 1 & 2.

TABLE 1	
PART #	LENGTH
679489-01	1000 (1M)
679489-03	2000 (2M)

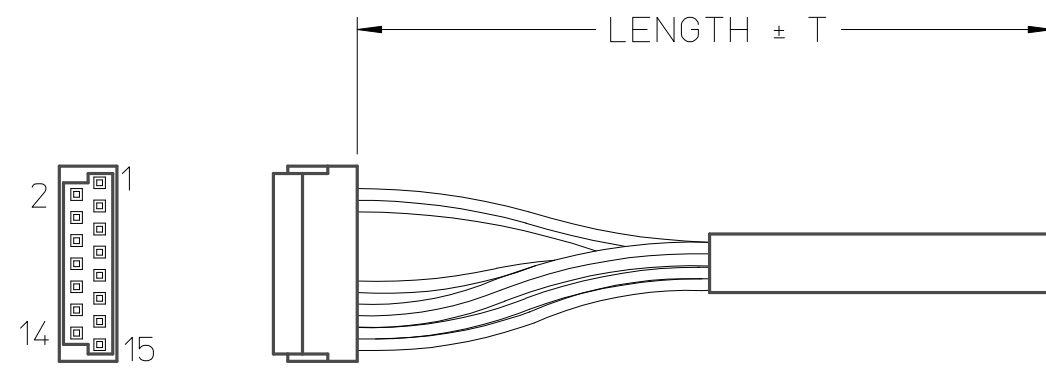
TABLE 2	
PART #	LENGTH
679489-02	500 (0.5M)
679489-04	1000 (1M)

TERMINATION		
PIN NO.	COLOR	FUNCTION
1	YEL	CH A
2	YEL/WHT	CH A-
3	BLU	CH B
4	BLU/WHT	CH B-
5	ORN	INDEX
6	ORN/WHT	INDEX-
7	---	N/C
8	---	N/C
9	---	N/C
10	---	N/C
11	---	N/C
12	---	N/C
13	RED	+Vcc
14	BLK	GND
15	---	N/C

LENGTH TOLERANCES	
LENGTH	T
461-910	± 25
911-1810	± 75
1811- UP	± 100



DUAL CONNECTOR CABLE  
SEE TABLE 1



SINGLE CONNECTOR CABLE  
SEE TABLE 2

RELEASE # 05409	TEXT Initial release	<b>RENCO ENCODERS INC.</b> 26 COROMAR DR. GOLETA, CA. 93117	
This document is the property of Renco Encoders Inc. and is submitted in confidence. Disclosure, reproduction or publication without written authorization is prohibited.	DRAWN Cepeda 07/30/09 APPV'D REL'D		
MAT'L	FINISH	TOLERANCES UNLESS OTHERWISE SPECIFIED ALL DIMENSIONS ARE IN MILLIMETERS	
THIRD ANGLE PROJECTION		TITLE Connecting cable, R35i, LD/0, web print SIZE <b>B</b> FSCM NO. <b>34479</b> DWG NO. 690396-00-A-01 SCALE NONE THIS DWG PREPARED IN ACCORDANCE WITH: ASME Y14.5M -1994 PAGE 1 OF 1	