



R50i Modular Encoder Installation Instructions

Click on your selection from list below
to view appropriate instructions.

Data Only

Commutation - Static

Commutation - Dynamic

R50i Data Only

Mounting instructions

Verify the following items were received:

- R50i Encoder**
- Mounting Screws – 2 each**
- Cover**
- Setscrew wrench (1 per shipping tray)**

Additional Items needed to complete installation:

- Cable Assembly (Purchased separately)**
- Mounting screw wrench (Not included)**

Step 1:

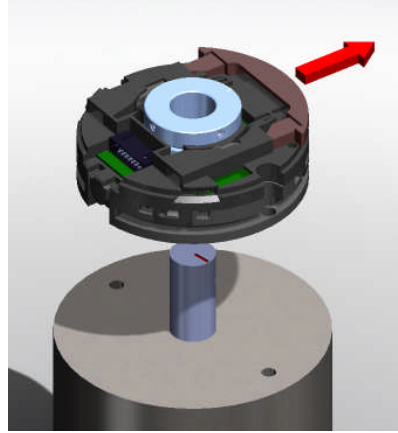


Figure 1

Verify slide is fully extended. If needed, apply threadlocker to mounting holes. Slide encoder over motor shaft as shown in Figure 1.

Step 2:

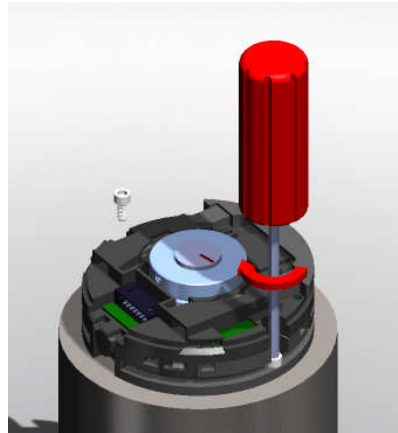



Figure 2

Install both mounting screws finger tight, then torque to 40 oz-in.

Change:

	Release-no.		Created	Responsible	Released	Version	Rev.	Sheet	Page
	04738	Name	Rhodes	Rhodes	Rhodes	D655976 - 00 - B - 01			1/
		Date	06/05/2009	06/19/2009	06/19/2009	Document no.			2

This document is the property of RENCO Encoders and is submitted in confidence. Disclosure, reproduction or publication without written authorization is prohibited.

542543

This document is the property of RENCO Encoders and is submitted in confidence. Disclosure, reproduction or publication without written authorization is prohibited.

Step 3:

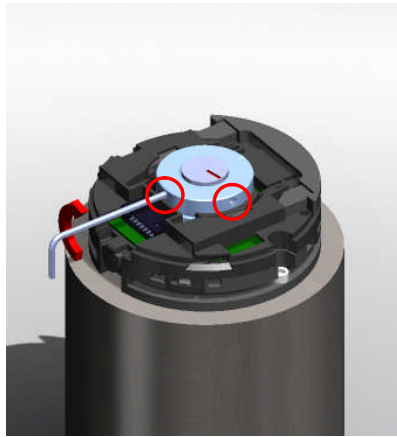


Figure 3

Torque both set screws to 20 oz-in. Bond hub to shaft if necessary.

Step 4:

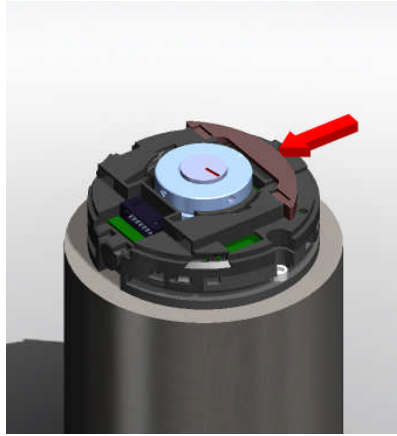


Figure 4

Push in slide.

Step 5:

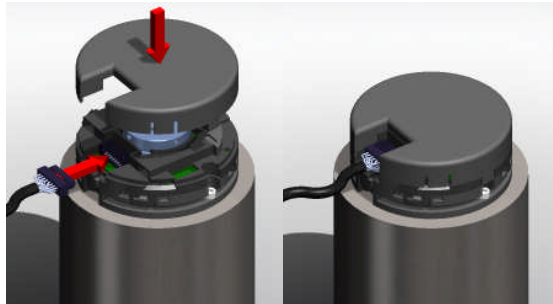



Figure 5

Install cover and cable.

	Release-no.		Created	Responsible	Released		Version	Rev.	Sheet	Page
	04738	Name	Rhodes	Rhodes	Rhodes	D655976	- 00 - B - 01			2/
		Date	06/05/2009	06/19/2009	06/19/2009	Document no.			2	

**R50i Static Alignment
Mounting instructions**

Verify the following items were received:

- R50i Encoder**
- Mounting Screws – 2 each**
- Cover**
- Setscrew wrench (1 per shipping tray)**

Additional Items needed to complete installation:

- Cable Assembly (Purchased separately)**
- Mounting screw wrench (Not included)**
- Servo cleats (not included)**

Step 1:

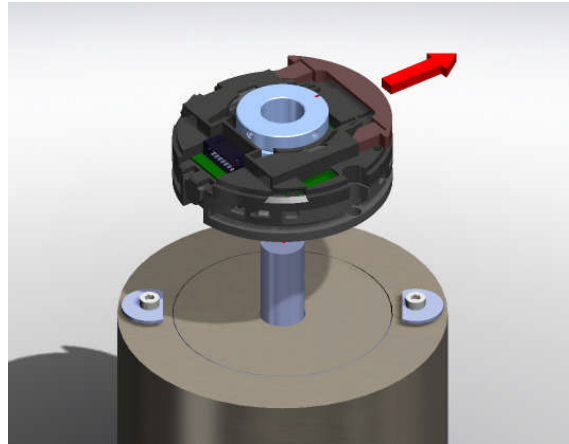


Figure 1

Energize appropriate motor windings to lock shaft. Verify slide is fully extended. If needed, apply threadlocker to mounting holes. Loosely install servo cleats with flat side facing shaft. Rotate hub so line on hub is 180° from connector. Slide encoder over motor shaft as shown in Figure 1.

Step 2:

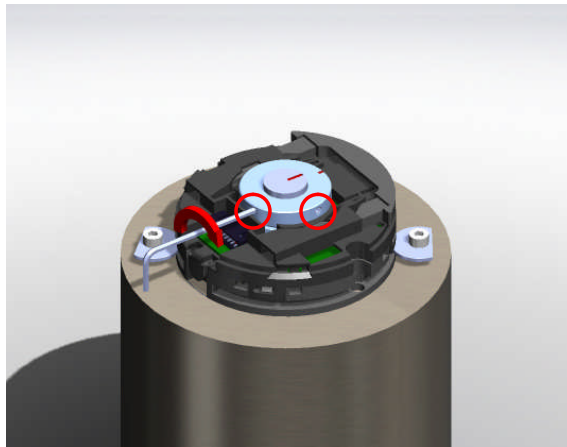


Figure 2

Rotate servo cleats to position shown in figure 2. Housing should be allowed to rotate, but not lift up. Torque both set screws to 20 oz-in.

Change:

	Release-no.		Created	Responsible	Released	Version	Rev.	Sheet	Page
	04740	Name	Rhodes			D655977 - 00 - B - 01			1/
		Date	06/05/2009			Document no.			2

This document is the property of RENCO Encoders and is submitted in confidence. Disclosure, reproduction or publication without written authorization is prohibited.

542543

Step 3:

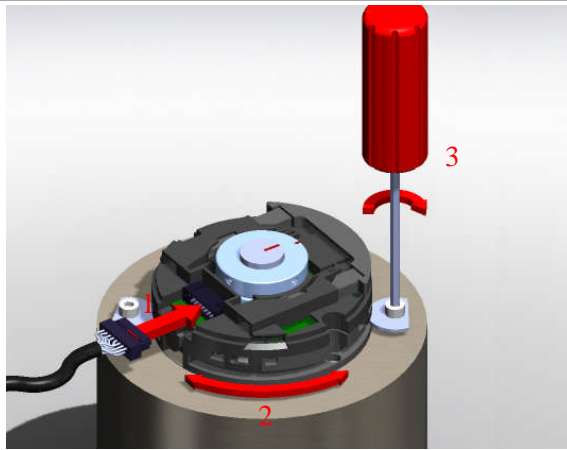


Figure 3

Install the encoder cable (1). Rotate encoder body until a transition on U. Rotate the opposite direction until the opposite transition. Find the midpoint (2), then torque the mounting screws to 40 oz-in (3).

Step 4:

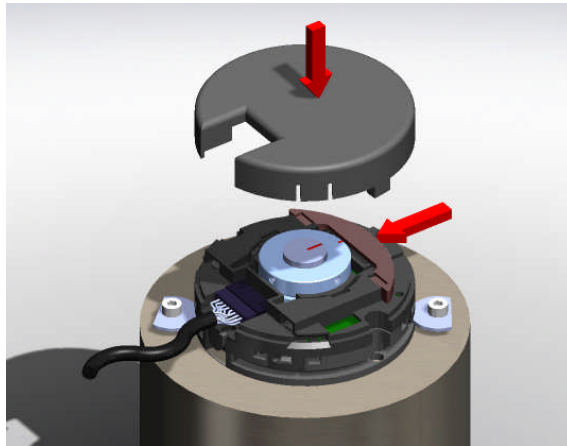


Figure 4

Push in slide and install cover.

Step 5:

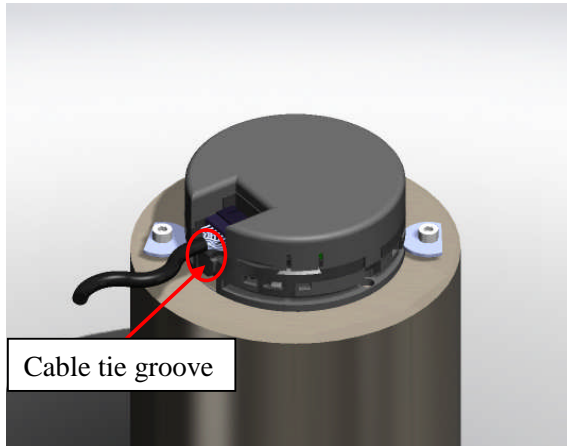



Figure 5

Add cable tie for strain relief if desired.

	Release-no.		Created	Responsible	Released	Version	Rev.	Sheet	Page
	04740		Rhodes			D655977	- 00 - B - 01		2/
		Date	06/05/2009				Document no.		2

**R50i Dynamic Alignment
Mounting instructions**

Verify the following items were received:

- R50i Encoder**
- Mounting Screws – 2 each**
- Cover**
- Setscrew wrench (1 per shipping tray)**

Additional Items needed to complete installation:

- Cable Assembly (Purchased separately)**
- Mounting screw wrench (Not included)**
- Servo cleats (not included)**
- Oscilloscope**

Step 1:

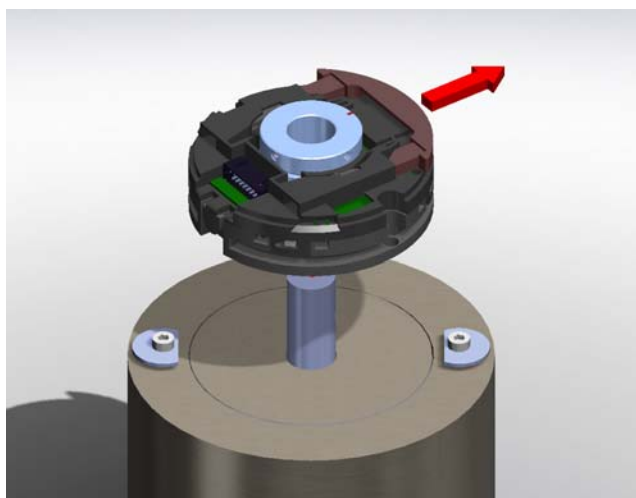


Figure 1

Energize appropriate motor windings to lock shaft. Verify slide is fully extended. If needed, apply threadlocker to mounting holes. Loosely install servo cleats with flat side facing shaft. Rotate hub so line on hub is 180° from connector. Slide encoder over motor shaft as shown in Figure 1.

Step 2:

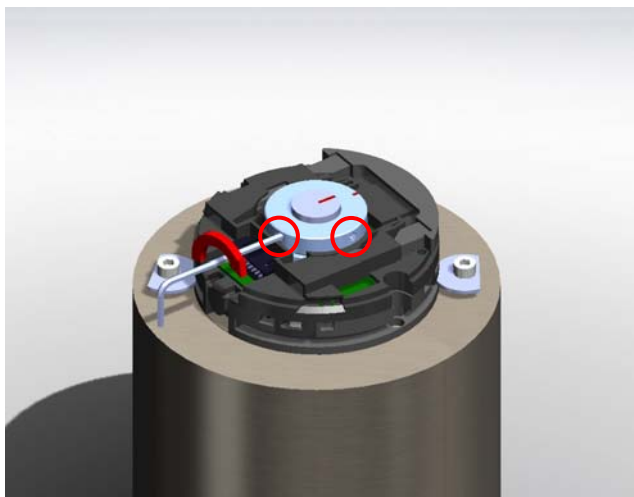


Figure 2

Rotate servo cleats to position shown in figure 2. Housing should be allowed to rotate, but not lift up. Torque both set screws to 20 oz-in.

This document is the property of RENCO Encoders and is submitted in confidence. Disclosure, reproduction or publication without written authorization is prohibited.

542543

Change:

Release-no.	Created	Responsible	Released	Version	Rev.	Sheet	Page
05463	Rhodes	Rhodes	Rhodes	D655978 - 00 - B - 01			1/
	05.06.2009	12.08.2009	12.08.2009	Document no.			2

Step 3:

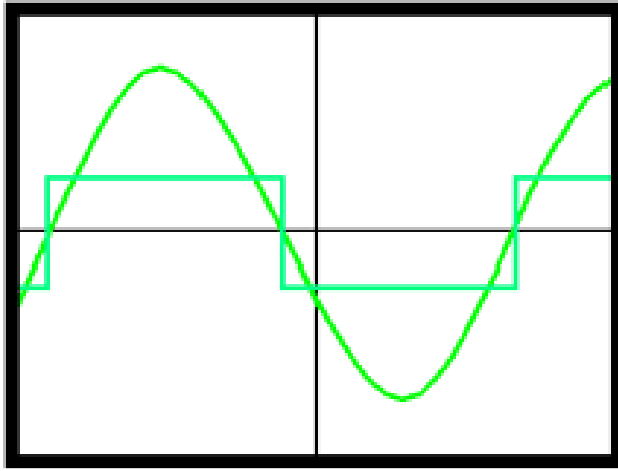


Figure 3

De-energize motor windings and install the encoder cable. Connect channel U and appropriate motor winding to oscilloscope. Back drive the motor and rotate the encoder until the waveforms match figure 3. Torque the mounting screws to 40 oz-in. **NOTE: motor can only be back driven at 500RPM max for 30 seconds max while slide is out.**

Step 4:

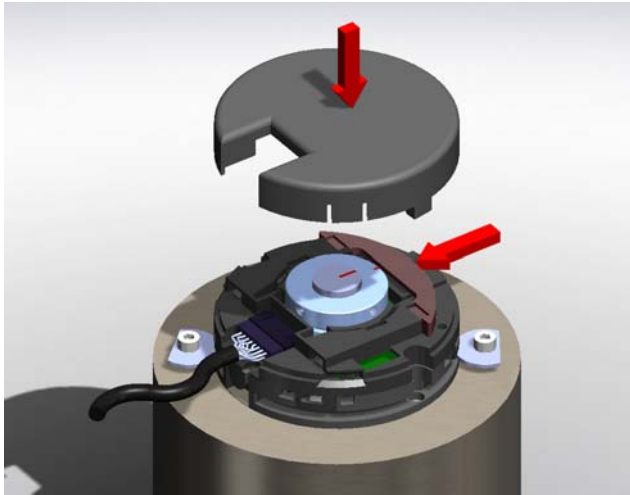


Figure 4

Push in slide and install cover.

Step 5:

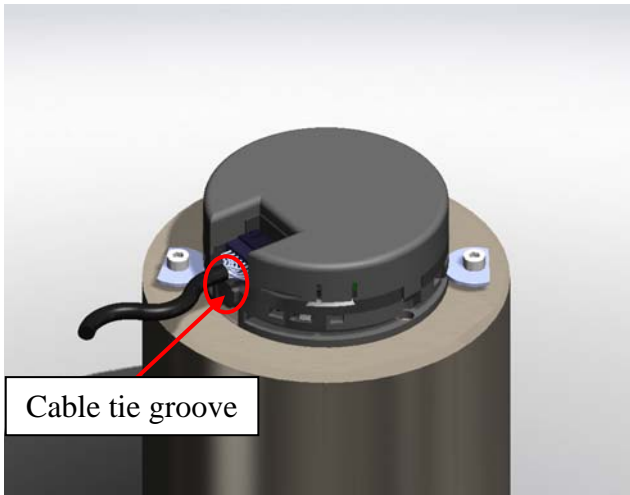


Figure 5

Add cable tie for strain relief if desired.

Release-no. 05463	Created	Responsible	Released	Version	Rev.	Sheet	Page
	Name	Rhodes	Rhodes	D655978 - 00 - B - 01			2/
	Date	05.06.2009	12.08.2009	12.08.2009	Document no.		2

