

NOTES: UNLESS OTHERWISE SPECIFIED

- 1.0 SCOPE
 1.1 THIS SPECIFICATION DESCRIBES THE REQUIREMENTS FOR AN INCREMENTAL MODULAR ENCODER W/ ONCE AROUND PULSE MARKER.
- 2.0 MECHANICAL SPECIFICATIONS
 2.1 DIMENSIONS: SEE FIGURES 1 & 2 ON PAGE 2.
 2.2 MOUNTING REQUIREMENTS: SEE FIGURE 3 ON PAGE 2.
 2.3 TERMINATION: SEE TABLE 3
 2.4 MTG HARDWARE: M2.5 FOR METRIC BORES OR #4-40 FOR INCH BORES QTY 2.
 2.5 HUB BORE SIZE: SEE TABLE 2
 2.6 SHAFT END PLAY ± 0.25
 2.7 SHIPPING WEIGHT: 10 ENCODERS WITH TRAY = 10 oz.
 2.8 DISK MATERIAL: CHROME ON GLASS
- 3.0 ELECTRICAL SPECIFICATIONS
 3.1 CODE: INCREMENTAL AND ONCE AROUND PULSE MARKER
 3.2 PULSES PER REVOLUTION: SEE TABLE 1
 3.3 SUPPLY VOLTAGE: SEE TABLE 5
 3.4 CURRENT: 70 mA
 3.5 OUTPUT FORMAT: (SEE FIGURE 4)
 3.5.1 OUTPUT LOGIC LEVELS: LOGIC "1" 2.5 VDC MIN. LOGIC "0" .5 VDC MAX.
 3.6.2 OUTPUT TYPE: LD = AM26C31IDBR 20mA SOURCE AND SINK MAX.
 VO = OPEN COLLECTOR 4mA SINK MAX.
 VC = OPEN COLLECTOR W/ 2K OHM PULL-UPS 4mA SINK MAX.
 3.7 OPERATING FREQUENCY: 200 KHz
- 4.0 CONTINUOUS DUTY OPERATING TEMPERATURE: -10° TO 100°C .
- 5.0 ENVIRONMENTAL EXCURSION LIMITS
 5.1 STORAGE (NON-OPERATING) TEMPERATURE: -30° TO $+110^{\circ}\text{C}$.
 5.2 HUMIDITY: 85% RELATIVE HUMIDITY (NON-CONDENSING)
 5.3 DUST EXPOSURE: IP 40 WITH COVER

5	400
10	500
40	512
50	600
60	625
75	635
100	720
104	800
120	900
125	1000
150	1024
180	1250
192	1270
200	1500
250	1800
254	1885
256	2000
300	2048
360	
384	

SPECIFY	HUB SIZE $^{+0.01}_{-0}$	SHAFT SIZE $^{+0}_{-0.013}$
3/16"	4.757	4.754
4	4	3.997
5	5	4.997
6	6	5.997
1/4"	6.345	6.342
1/4+	6.353	6.350
5/16"	7.932	7.929
8	8	7.997
3/8"	9.52	9.517
3/8+	9.528	9.525
10	10	9.997
7/16"	11.11	11.107
12	12	11.997
1/2"	12.695	12.692
1/2+	12.703	12.7

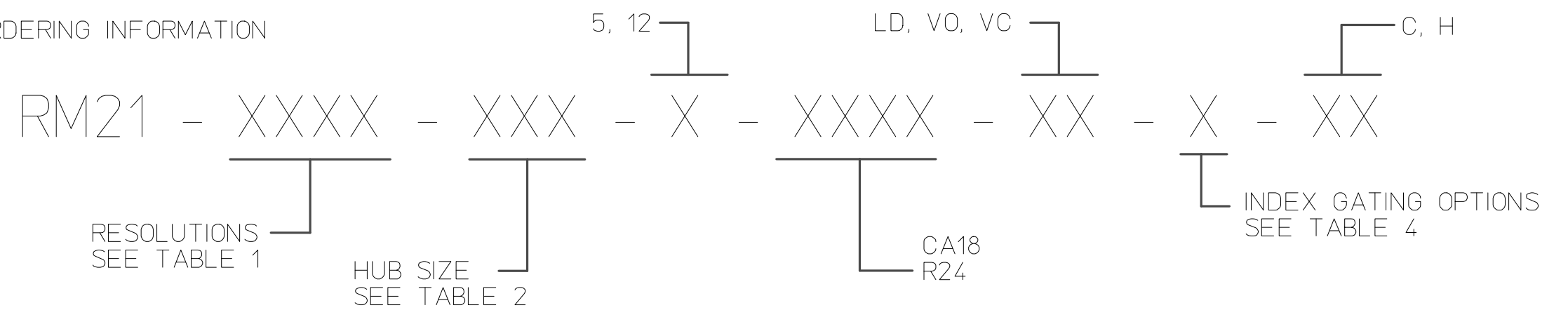
SPECIFY	INPUT VOLTAGE
5	$5 \pm 5\%$
12	$12 \pm 5\%$

SPECIFY	GATING
0	UNGATED $360^{\circ} \pm 20\%$
1	A&B $90^{\circ} \pm 45^{\circ}$

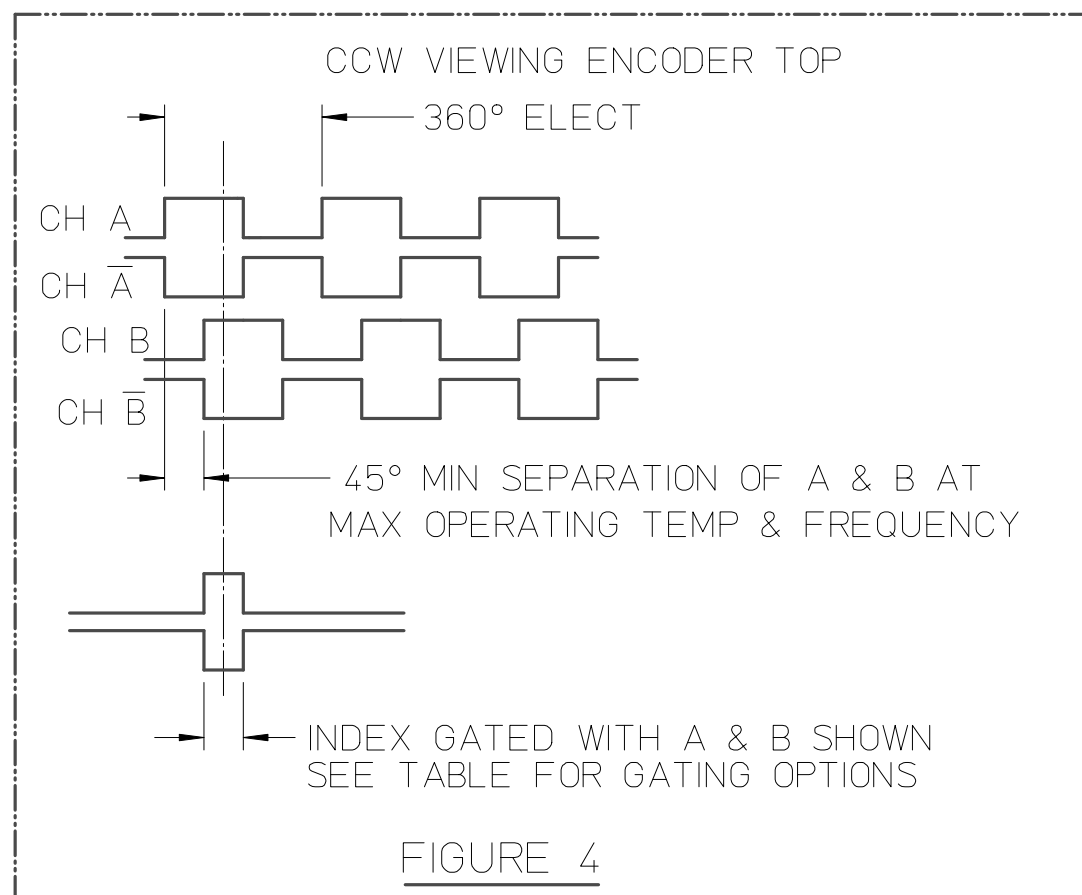
CA18			R24*	
PIN NO.	FUNCTION	COLOR	PIN NO.	FUNCTION
1	Vcc	RED	1	CH A
2	GND	BLK	2	Vcc
3	CH A	WHT	3	GND
4	CH A-	YEL	4	N/C
5	CH B	GRN	5	N/C
6	CH B-	BLU	6	N/C
7	INDEX	ORN	7	N/C
8	INDEX-	BRN	8	CH B
			9	N/C
			10	INDEX

* VC OR VO ONLY

ORDERING INFORMATION



TO THE BEST OF OUR KNOWLEDGE THE RM21 IS RoHS COMPLIANT



RELEASE # 02653	TEXT Update Table 2	RENCO ENCODERS INC. 26 COROMAR DR. GOLETA, CA. 93117	
This document is the property of Renco Encoders Inc. and is submitted in confidence. Disclosure, reproduction or publication without written authorization is prohibited.	DRAWN Cepeda 02/12/09	TITLE	
	APPV'D	Outline dwg, RM21	
	REL'D	SIZE FSCM NO. C 34479 DWG NO. 647095-02-A-01 VER [REV] SHT	
MAT'L	FINISH	TOLERANCES UNLESS OTHERWISE SPECIFIED ALL DIMENSIONS ARE IN MILLIMETERS PER ISO 2768-c	
THIRD ANGLE PROJECTION		SCALE NONE	THIS DWG PREPARED IN ACCORDANCE WITH: ASME Y14.5M -1994
			PAGE 1 OF 2

NOTES: UNLESS OTHERWISE SPECIFIED

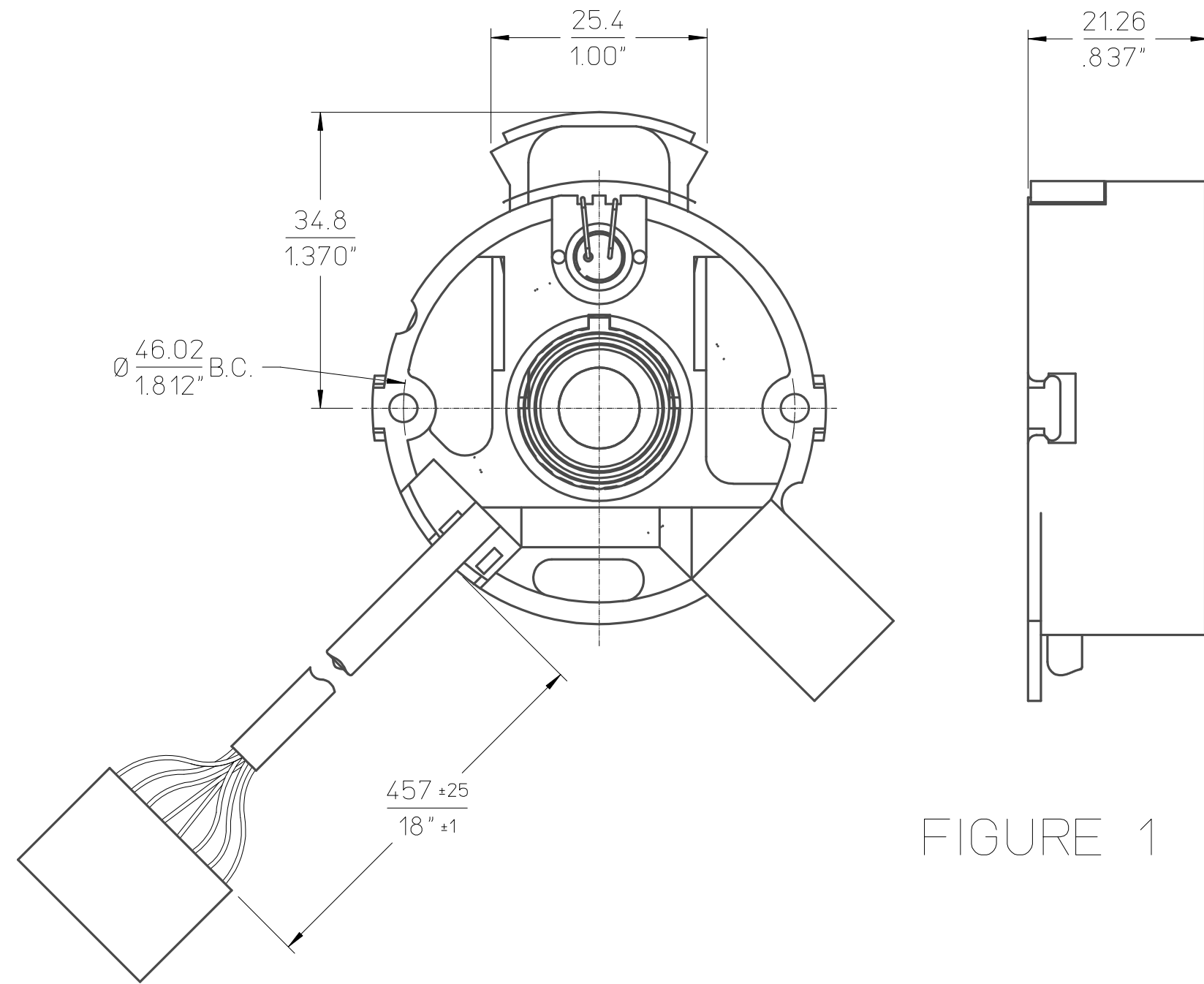


FIGURE 1

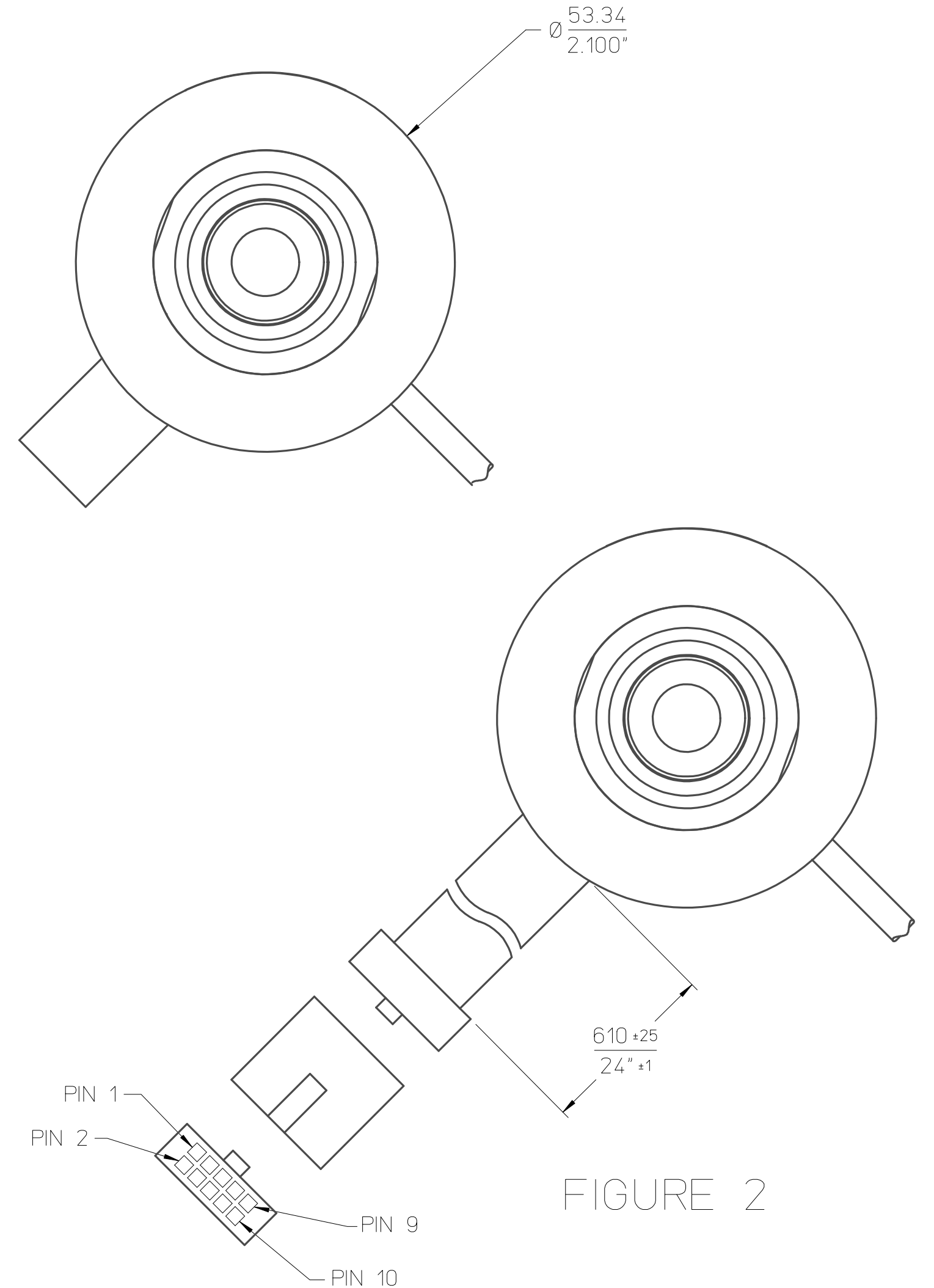


FIGURE 2

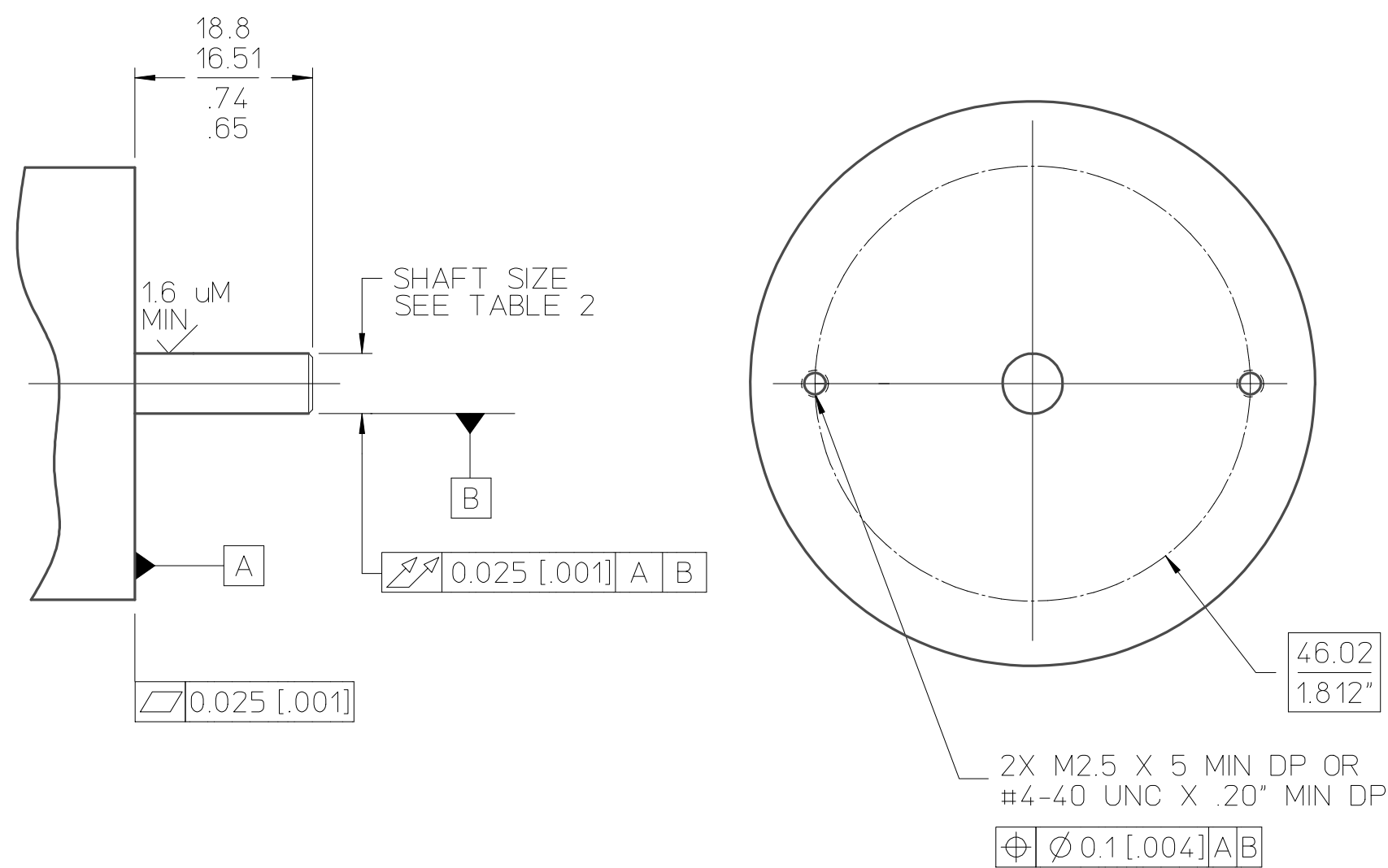


FIGURE 3

RELEASE # 02653	TEXT Update Table 2	RECO ENCODERS INC. 26 COROMAR DR. GOLETA, CA. 93117	
This document is the property of Renco Encoders Inc. and is submitted in confidence. Disclosure, reproduction or publication without written authorization is prohibited.	DRAWN Cepeda 02/12/09 APPV'D REL'D		
MAT'L	FINISH	Outline dwg, RM21	
TOLERANCES UNLESS OTHERWISE SPECIFIED ALL DIMENSIONS ARE IN MILLIMETERS INCHES ± 0.13 ANGULAR ± 30' ± .005 ± .5°		SIZE FSCM NO. C 34479 DWG NO. 647095-02-A-01 VER [REV] SHT	
THIRD ANGLE PROJECTION		SCALE 1.5:1 THIS DWG PREPARED IN ACCORDANCE WITH ASME Y14.5M -1994	PAGE 2 OF 2