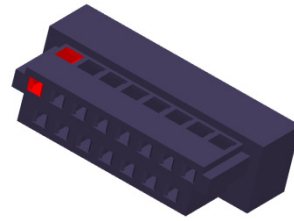


Technische Kennwerte**Materialien und Oberflächen****Technische Information****Bestellbezeichnungen****Bestelladressen****Steckverbinder der Baureihe JAE FI**
informativ**Technische Kennwerte***informativ*

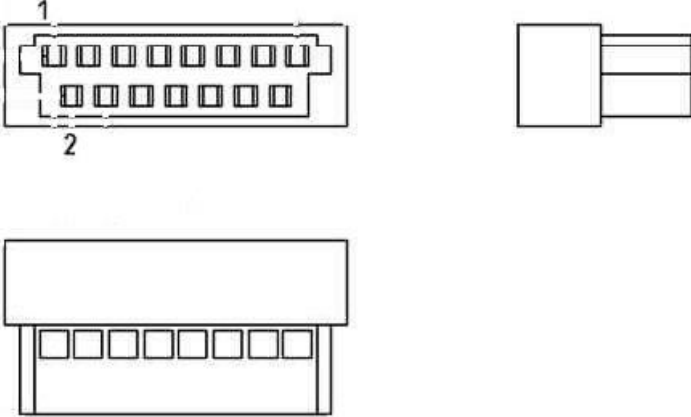
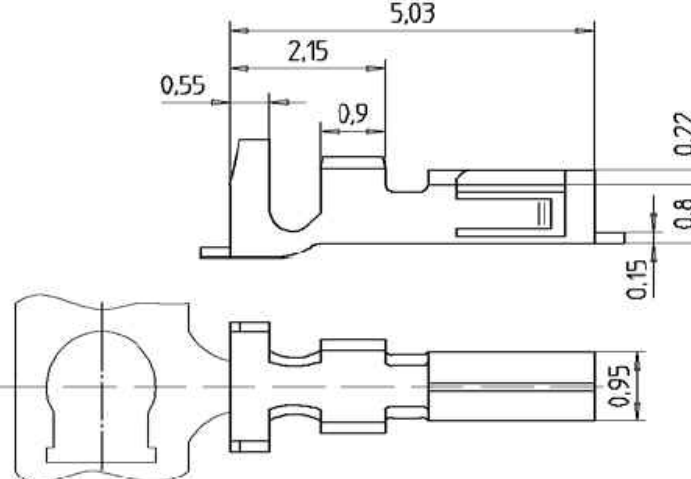
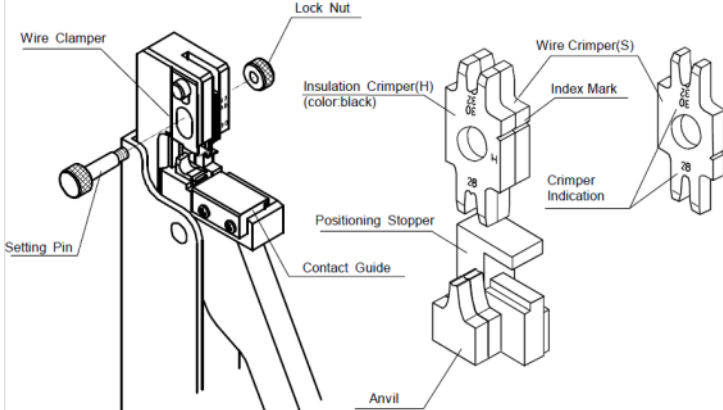
Rastermaß	1,25 mm
Anzahl der Kontakte	15 / 9
Dielektrische Spannungsfestigkeit	500 V~ Effektivspannung (eine Minute)
Kontakt / Verwendbare Litzenquerschnitte	FI-C3-A1-15000: 0,032 mm ² bis 0,092 mm ² (AWG 32 bis AWG 28)
	AWG Aufbau Querschnitt (mm ²) Durchmesser Leiter ca. Ø (mm)
	28 1x0,320 0,080 0,32
	28 7x0,127 0,089 0,38
	28 19x0,0787 0,092 0,39
	30 1x0,254 0,051 0,25
	30 7x0,102 0,057 0,31
	30 19x0,0635 0,060 0,32
	32 1x0,203 0,032 0,20
	32 7x0,0787 0,034 0,24
32 19x0,0508 0,039 0,25	
Isolierdurchmesser	FI-C3-A1-15000: 0,5 mm bis 0,9 mm
Betriebstemperatur	-40 °C bis +125 °C
Steckverbinder abziehen	Über das Platinenstecker-Gehäuse. (Es ist nicht zulässig an den Adern zu ziehen!*)
Vibrationsfestigkeit	Bis zu 40 g (abhängig von der Applikation)
RoHS	Anforderungen erfüllt

Materialien und Oberflächen*informativ*

Buchsengehäuse	UL 94 V-0, schwarz
Buchsenkontakt	Oberfläche: Gold über Nickel

* HEIDENHAIN empfiehlt eine Montagehilfe zum Anstecken und Abziehen von Platinensteckern zur Vermeidung von Adernbeschädigungen.

JAE FI-Series Connector	Product Notes	Change No: C098516-05
<small>The reproduction, distribution and utilization of this document as well as the communication of its contents to others without express authorization is prohibited. Offenders will be held liable for the payment of damages. All rights reserved in the event of the grant of a patent, utility model or design.</small>		
HEIDENHAIN DR. JOHANNES HEIDENHAIN GmbH 83301 Traunreut, Germany	Serie Version Revision Sheet Page D576762 - 06 - A - 01 1/6	Document No

Bezeichnung	Zeichnung	JAE Bestellnr.
<p>Buchsengehäuse</p>		<p>FI-WxxS</p> <p>xx= Anzahl der Kontakte</p>
<p>Buchsenkontakt AWG 32 – 28 (0,032 mm² - 0,092 mm²)</p>		<p>FI-C3-A1-15000</p>
<p>Manuelles Crimpgerät AWG 32 - 28</p>		<p>CT150-4C-FI</p>
<p>Halbautomatisches Crimpgerät AWG 32 - 28</p>		<p>Crimppresse: CT215-4B</p> <p>Applikator: 350-FI-2B</p>

Hersteller /
Vertrieb Japan: Japan Aviation Electronics Industry Ltd.
1-19, Aobadei 3-chome, Meguro-ku
Tokyo 153-8539, Japan
Tel.: +81 3 3780 2768
Fax: +81 3 3780 2883
www.jae.com

Vertrieb Europa: JAE Europe, Ltd.
200 Fowler Avenue,
Farnborough Business Park
Hampshire GU14 7JP, United Kingdom
Tel.: +44 1252 55 11 00
Fax: +44 1252 55 11 10
www.jae.co.uk/

Vertrieb China: JAE Shanghai Co., Ltd.
RM1407, Shanghai Mart
2299 Yanan Road (West)
200336 Shanghai
Tel.: +86 21 6236 0322
Fax: +86 21 6236 1292
www.jae.com.cn

Vertrieb Deutschland: Rimec GmbH
Hans-Bornkessel-Straße 45
90763 Fürth, Germany
Tel.: +49 911 9520 0
Fax: +49 911 9520 291
www.rimec.de

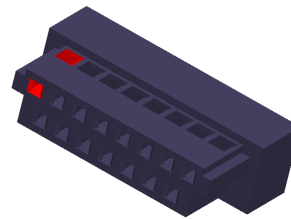
Future Electronics Deutschland GmbH
Oskar-Messter-Str. 25
85737 Ismaning, Germany
Tel.: +49 89 95727 0
Fax: +49 89 95727 173
de.futureelectronics.com

Vertrieb USA: JAE Electronics Inc.
142 Technology Drive, Suite 100 Irvine
CA 92618-2430, U.S.A.
Tel.: +1 949 753 2600
Fax: +1 949 753 2699
www.jaeusa.com

Die Daten in dieser Kundeninformation sind rein informativ und dienen ausschließlich zu Beratungszwecken. Die aktuellen Technischen Daten sind vom Hersteller JAE direkt einzuholen.

Weitere Informationen:*Prospekt "Messgeräte für elektrische Antriebe"*

JAЕ FI-Series Connector	Product Notes	Change No: C098516-05			
The reproduction, distribution and utilization of this document as well as the communication of its contents to others without express authorization is prohibited. Offenders will be held liable for the payment of damages. All rights reserved in the event of the grant of a patent, utility model or design.					
HEIDENHAIN DR. JOHANNES HEIDENHAIN GmbH 83301 Traunreut, Germany	Serie	Version	Revision	Sheet	Page
	D576762 - 06 - A - 01				3/6
Document No					

General Specifications**Materials and Finishes****Technical Information****Ordering Designations****Ordering Addresses****JAE FI Series Connector**
only for information purposes**General Specifications***only for information purposes*

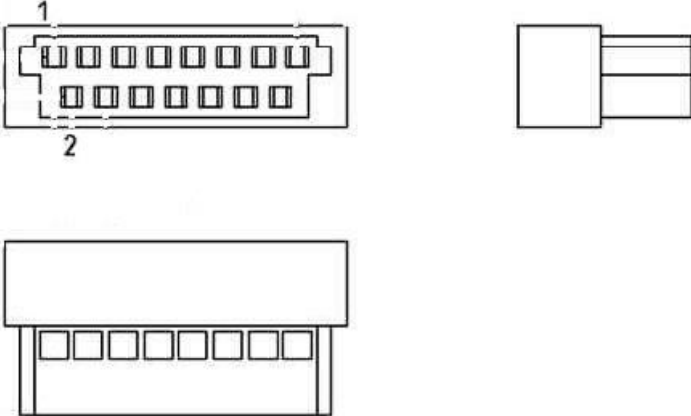
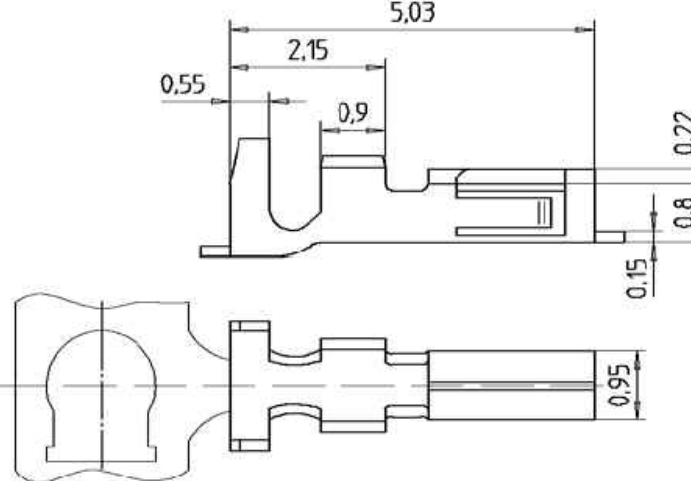
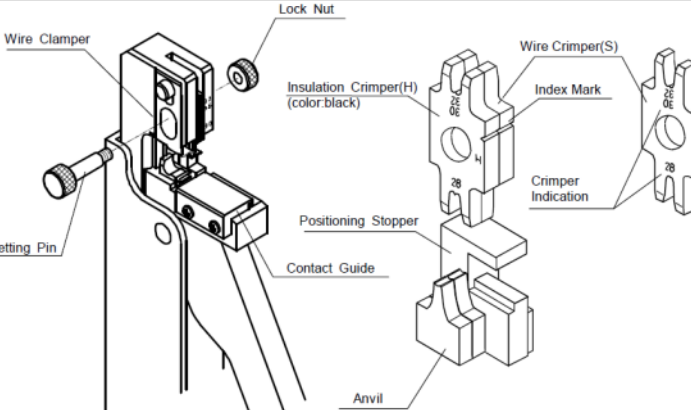
Contact spacing	1.25 mm		
Number of contacts	15 / 9		
Dielectric withstanding voltage	500 VAC r.m.s (one minute)		
Contact / usable wire cross-sections	FI-C3-A1-15000:	0.032 mm ² to 0.092 mm ² (AWG 32 to AWG 28)	
	AWG	Stranding	Cross section in mm ²
			Approx. conductor diameter in mm
	28	1x0,320	0,080
	28	7x0,127	0,089
	28	19x0,0787	0,092
	30	1x0,254	0,051
	30	7x0,102	0,057
	30	19x0,0635	0,060
	32	1x0,203	0,032
32	7x0,0787	0,034	
32	19x0,0508	0,039	0,25
Insulation diameter	FI-C3-A1-15000:	0.5 mm to 0.9 mm	
Operating temperature	-40 °C to +125 °C		
Unmating	Via PCB housing. Pulling the wires is not allowed!*		
Vibration durability	Up to 40 g (dependent on the application)		
RoHS	Fulfilled		

Materials and Finishes*only for information purposes*

Socket housing	UL 94 V-0, black
Socket contact	Finish: Gold over nickel

* HEIDENHAIN recommends a mounting aid for plugging in and removing PCB connectors to avoid damage to the wires.

JAE FI-Series Connector	Product Notes	Change No: C098516-05										
<small>The reproduction, distribution and utilization of this document as well as the communication of its contents to others without express authorization is prohibited. Offenders will be held liable for the payment of damages. All rights reserved in the event of the grant of a patent, utility model or design.</small>												
HEIDENHAIN DR. JOHANNES HEIDENHAIN GmbH 83301 Traunreut, Germany	<table border="1"> <tr> <td>Serie</td> <td>Version</td> <td>Revision</td> <td>Sheet</td> <td>Page</td> </tr> <tr> <td>D576762</td> <td>- 06</td> <td>- A</td> <td>- 01</td> <td>4/6</td> </tr> </table>	Serie	Version	Revision	Sheet	Page	D576762	- 06	- A	- 01	4/6	Document No
	Serie	Version	Revision	Sheet	Page							
D576762	- 06	- A	- 01	4/6								

Type	Drawing	JAE Order No.
<p>Socket housing</p>		<p>FI-WxxS</p> <p>xx= number of contacts</p>
<p>Female contact AWG 32 - 28 (0,032 mm² - 0,092 mm²)</p>		<p>FI-C3-A1-15000</p>
<p>Manual crimping tool AWG 32 - 28</p>		<p>CT150-4C-FI</p>
<p>Semi-automatic crimping tool AWG 32 - 28</p>		<p>Press: CT215-4B</p> <p>Applicator: 350-FI-2B</p>

Ordering Addresses*only for information purposes*

Manufacturer
Sales Japan: Japan Aviation Electronics Industry Ltd.
1-19, Aobadei 3-chome, Meguro-ku
Tokyo 153-8539, Japan
Tel.: +81 3 3780 2768
Fax: +81 3 3780 2883
www.jae.com

Sales Europe: JAE Europe, Ltd.
200 Fowler Avenue,
Farnborough Business Park
Hampshire GU14 7JP, United Kingdom
Tel.: +44 1252 55 11 00
Fax: +44 1252 55 11 10
www.jae.co.uk/

Sales China: JAE Shanghai Co., Ltd.
RM1407, Shanghai Mart
2299 Yanan Road (West)
200336 Shanghai
Tel.: +86 21 6236 0322
Fax: +86 21 6236 1292
www.jae.com.cn

Sales Germany: Rimec GmbH
Hans-Bornkessel-Straße 45
90763 Fürth, Germany
Tel.: +49 911 9520 0
Fax: +49 911 9520 291
www.rimec.de

Future Electronics Deutschland GmbH
Oskar-Messter-Str. 25
85737 Ismaning, Germany
Tel.: +49 89 95727 0
Fax: +49 89 95727 173
de.futureelectronics.com

Sales USA: JAE Electronics Inc.
142 Technology Drive, Suite 100 Irvine
CA 92618-2430, U.S.A.
Tel.: +1 949 753 2600
Fax: +1 949 753 2699
www.jaeusa.com

The data in this Customer Information are intended solely for information and advice purposes. The current specifications must be obtained directly from the manufacturer JAE.

Further information:
Encoders for Servo Drives brochure

JAE FI-Series Connector	Product Notes	Change No: C098516-05
The reproduction, distribution and utilization of this document as well as the communication of its contents to others without express authorization is prohibited. Offenders will be held liable for the payment of damages. All rights reserved in the event of the grant of a patent, utility model or design.		
HEIDENHAIN DR. JOHANNES HEIDENHAIN GmbH 83301 Traunreut, Germany	Serie D576762	Version - 06
	Revision - A	Sheet - 01
	Page 6/6	Document No